

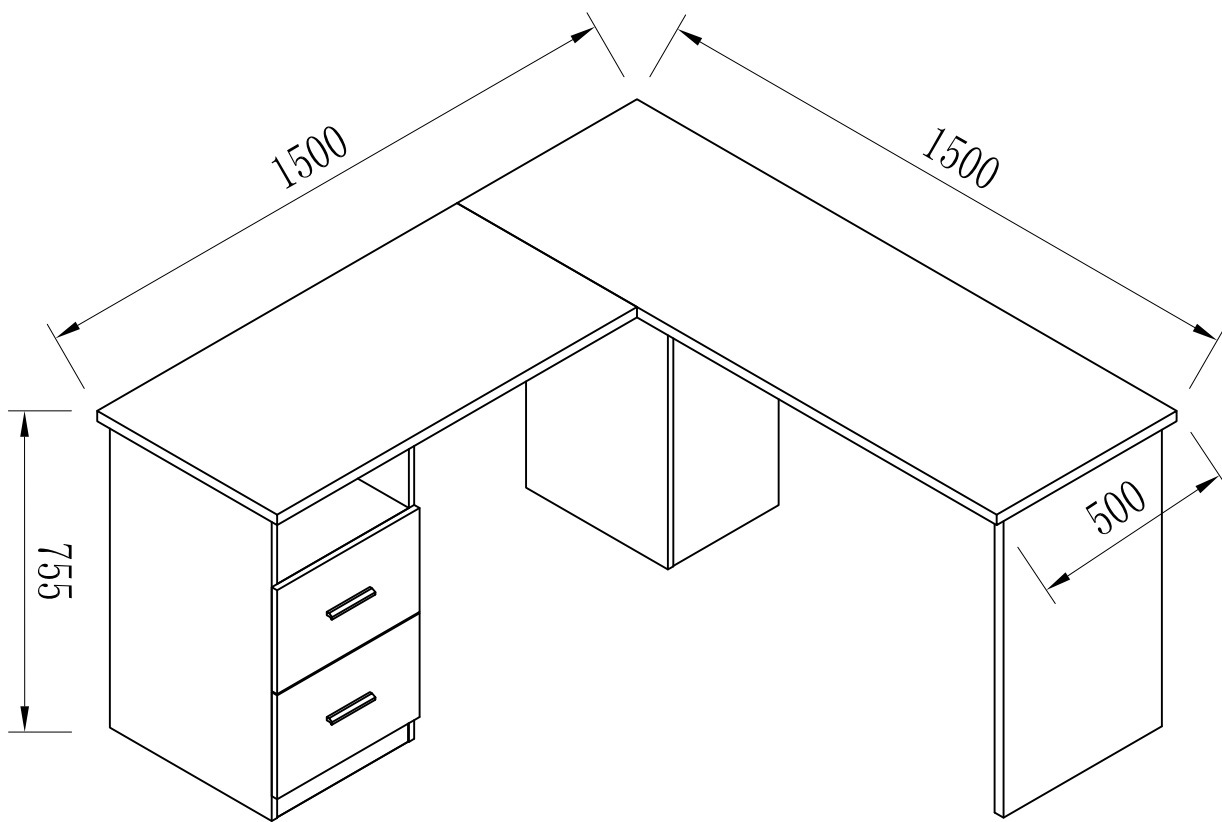


**ASSEMBLY INSTRUCTION**  
**BOLTON CORNER DESK**  
**ITEM CODE 65663**

Imported by Amart Furniture Pty Ltd. Qld. Brisbane Australia.

For any assistance with assembly or for missing parts please phone

Amart Furniture, Customer Service Free call 1800 351 084



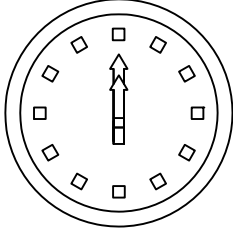
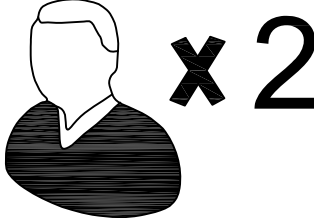

Imported by Amart Furniture Pty Ltd. Qld. Brisbane Australia.

For any assistance with assembly or for missing parts please phone Amart Furniture  
Customer Service Free call 1800 351 084

# PRE-ASSEMBLY PREPARATION

## Before you start:

1. Choose a clean, level, spacious assembly area. Avoid hard surfaces that may damage the product
2. Take care when lifting. Product should be assembled as near as possible to the point of use
3. Ensure that you have all required contents for complete assembly.
4. Always read the assembly instructions carefully before beginning assembly.
5. Keep all hardware parts and packaging out of reach of small children.
6. Do not over tighten the screws and bolts as this may damage the threads

 <p>ALLOW 60 MINUTES</p>	 <p>2 PEOPLE REQUIRED</p>
 <p>⊕</p> <p>ADDITIONAL TOOLS REQUIRED</p>	

 <b>TIPPING WARNING</b> 	
	<p>Serious or fatal injuries may occur from furniture toppling over. To help avoid this please follow the below recommendations:</p> <ul style="list-style-type: none"><li>• Install the provided "Tipping Kit" as per the instructions</li><li>• Never allow children to climb on or hang off of any part of this product</li><li>• Unless specifically designed to accommodate, do not set TVs or other heavy objects on top of this product</li></ul> <p>If this product has drawers:</p> <ul style="list-style-type: none"><li>• Place the heaviest items in lowest drawers</li><li>• Do not open more than 1 drawer at a time as this may cause the product to become unbalanced</li><li>• Do not tamper with or remove any drawer interlocking/running system</li></ul> <p><b>Note:</b> The use of the provided "Tipping Kit" may reduce but not necessarily eliminate the risk of furniture toppling over. Please use this product with caution.</p> <p><i>This is a permanent label. Do not attempt to remove!</i></p>

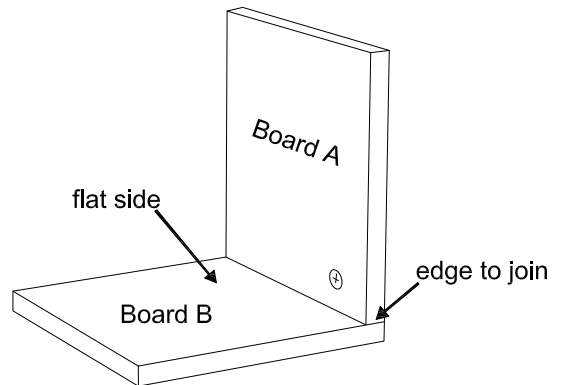
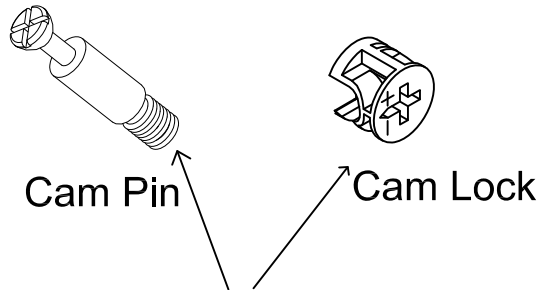
# CAM Lock and Pins

## step 1

### HOW TO USE CAM LOCK FASTENERS

To assemble this product hardware called Cam Lock Fasteners are used. The below is information on how these work.

Cam Locks are fasteners used to join two boards together, usually the edge of one board(A) to the flat side of another board(B)



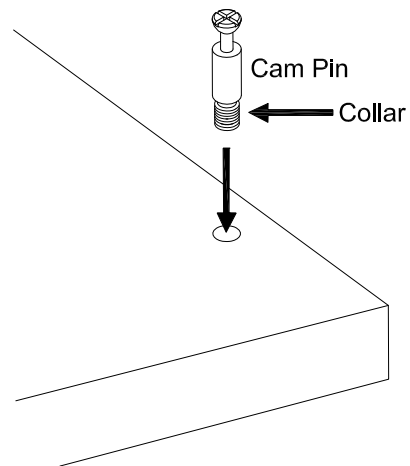
Ensure that you use the correct images that are representative of the hardware used in the product

## step 2

### To use Cam Lock Fasteners

The Cam Pin is inserted into the flat side of a board, it is important that:

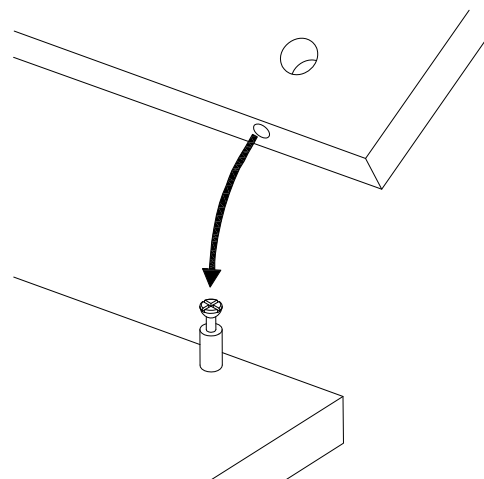
- \* The cam pin is kept vertical and is not put in on an angle
- \* Cam Pin is inserted up to the collar
  - \* Too far and it wont catch the Cam Lock (Do not Over Tighten)
  - \* Not enough and the resulting product wont be stable



## step 3

### To use Cam Lock Fasteners

Now fit the hole in the edge of the joining board over the Cam Pin

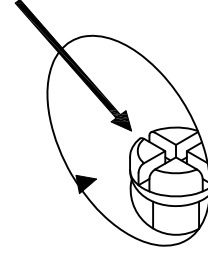


## step 4

### To use Cam Lock Fasteners

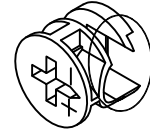
The Head of the Cam Pin will be visible in the large hole on the side of the joining board

head of the Cam Pin



### To use Cam Lock Fasteners

Notice the Cam Lock has a "C" Shaped back An Arrow or +/- signs on the front, indicated the open section on the back of the Cam Pin



Cam Lock

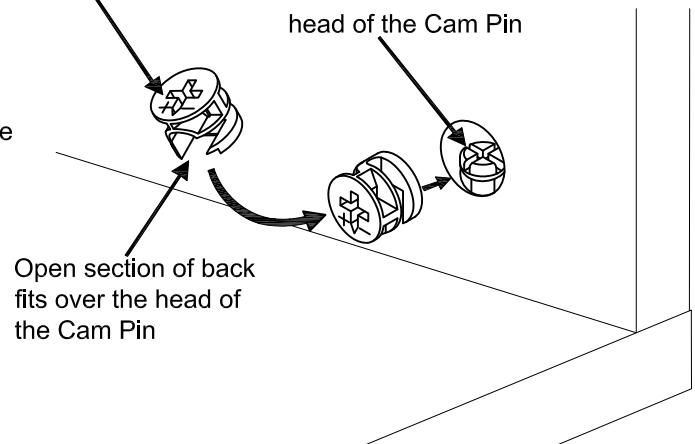
## step 5

### To use Cam Lock Fasteners

In sert the Cam Lock into the large hole so the opening of the "C" fits over the head of the Cam Pin. You must ensure that the Cam Lock is pushed to the bottom of the hole to catch the top of the Cam Pin

Arrow or +/- signs

head of the Cam Pin

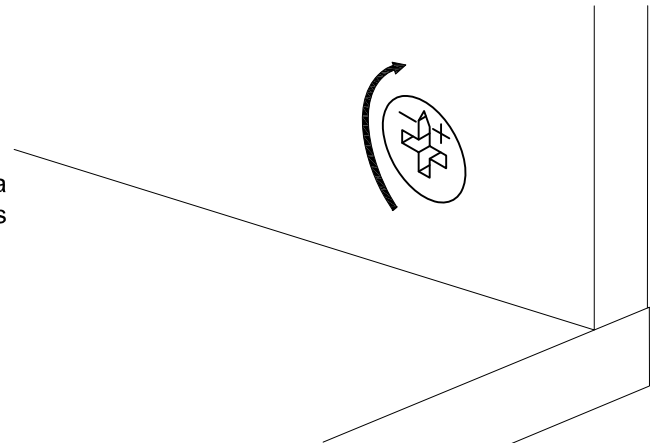


Open section of back fits over the head of the Cam Pin

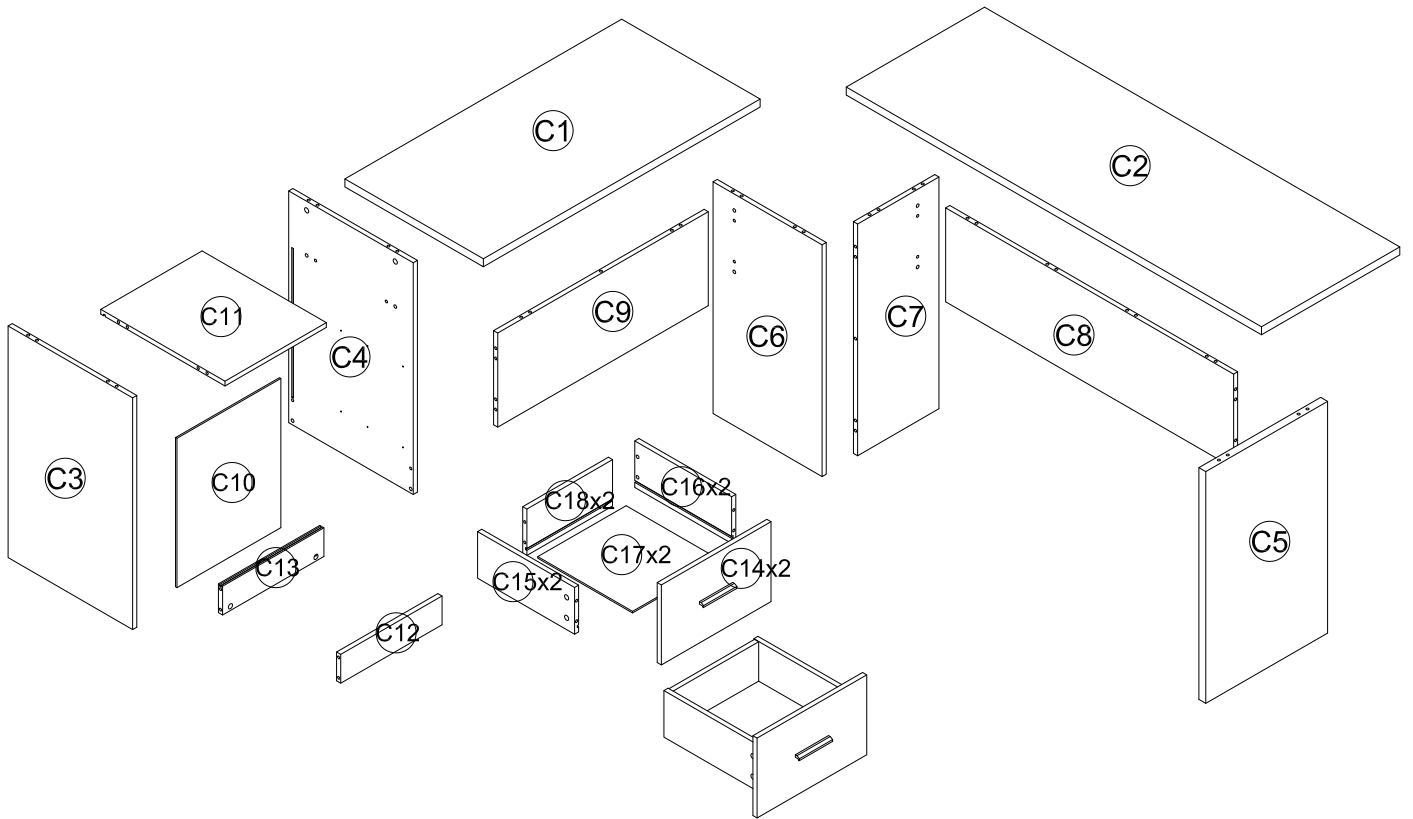
## step 6

### To use Cam Lock Fasteners

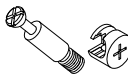
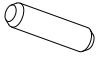

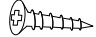



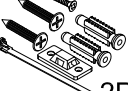
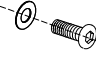
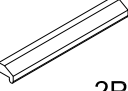
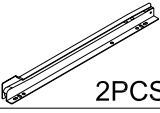
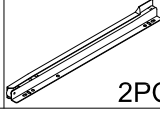

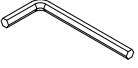
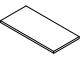

Use a flat screwdriver to turn the Cam Lock clockwise one half a turn so it Locks onto the head of the Cam Pin. Turn only until it is snug-over-tightening could cause the Cam to bend or break. If it will not turn the full amount, turn the Cam Pin out (counter-clockwise) one full turn, and try the Cam Lock again.



# PARTS LIST

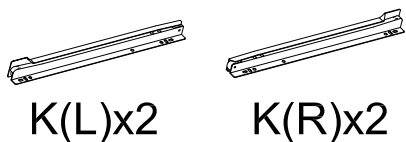


C1	Return top Panel	C10	Return Chest Back Panel
C2	Desk Top Panel	C11	Return Chest Shelf Panel
C3	Return Left Side Panel	C12	Return Bottom Front Support Panel
C4	Return Middle Side Panel	C13	Return Bottom Back Support Panel
C5	Desk Right Side Panel	C14	Drawer Front Panel
C6	Return Right Side Panel	C15	Drawer Left Side Panel
C7	Desk Left Side Panel	C16	Drawer Right Side Panel
C8	Desk Back Panel	C17	Drawer Bottom Panel
C9	Return Back Panel	C18	Drawer Back Panel

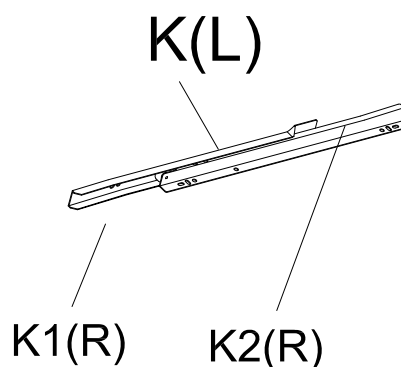
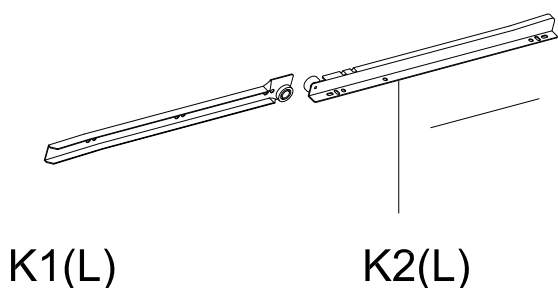
<p>A. Cam lock and Cam pin Ø15X35</p>  <p>52PCS</p>	<p>B. Dowel Ø8X30</p>  <p>34PCS</p>	<p>C. Screw Ø4X12</p>  <p>24PCS</p>	<p>D. Screw Ø3X18</p>  <p>4PCS</p>	<p>E. Connector</p>  <p>4PCS</p>	<p>F. Bolt M4X20</p>  <p>4PCS</p>	<p>G. Cover Ø20</p>  <p>30PCS</p>
<p>H. Wall Anchor</p>  <p>2PCS</p>	<p>I. Bolt M6x20</p>  <p>8PCS</p>	<p>J. Handle</p>  <p>2PCS</p>	<p>K: Runner (L) 350mm</p>  <p>2PCS</p>	<p>K: Runner (R) 350mm</p>  <p>2PCS</p>	<p>L. Metal plate 200x80x4mm</p>  <p>1PC</p>	<p>N. Hex Key 4MM</p>  <p>1PCE</p>
<p>O. Floor Protector 20x14x5mm</p>  <p>12PCS</p>	<p>P. Glue</p>  <p>1PCE</p>					

**65663**

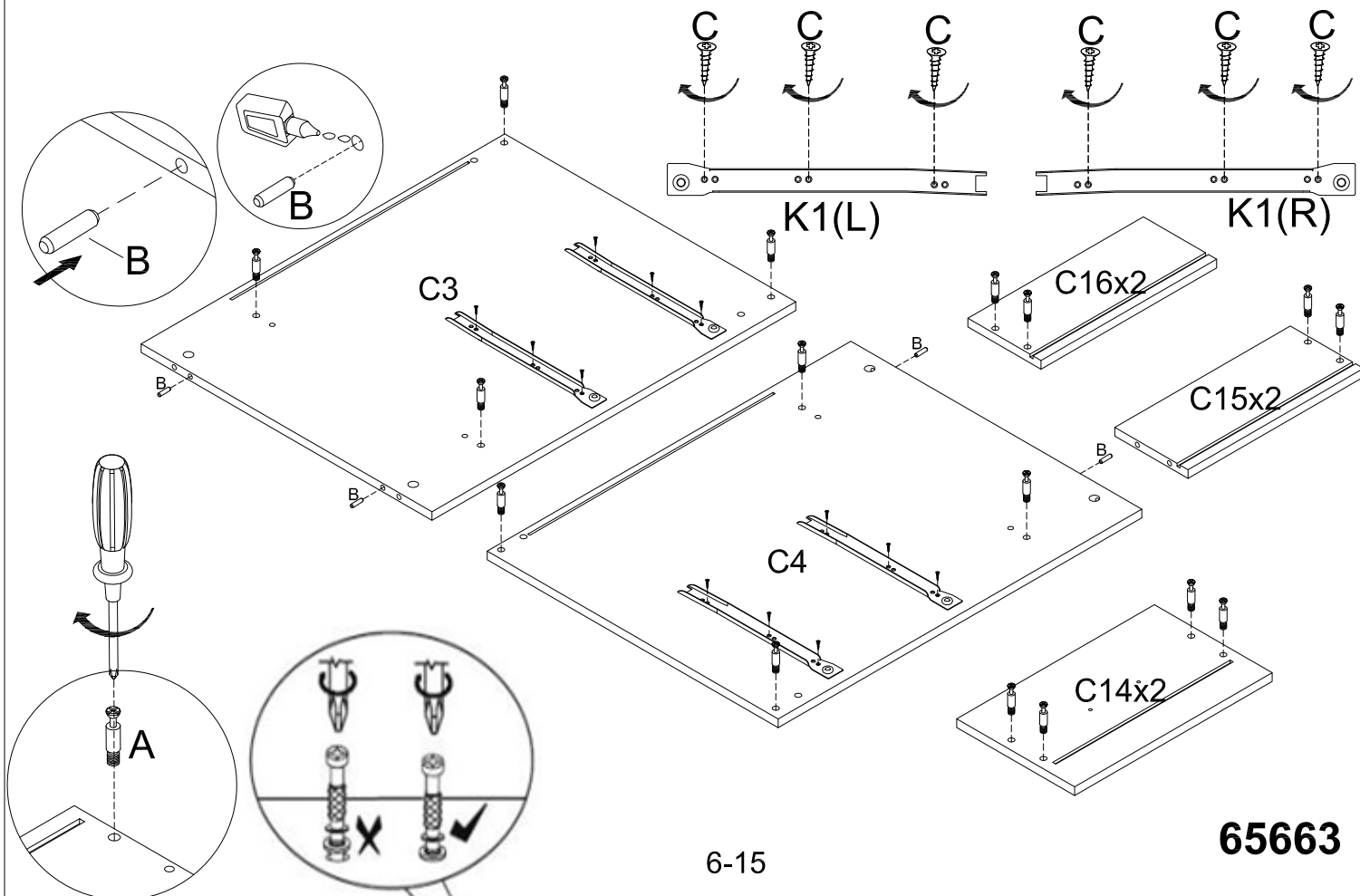
Step 1. Take off the Runner (K,L&R)



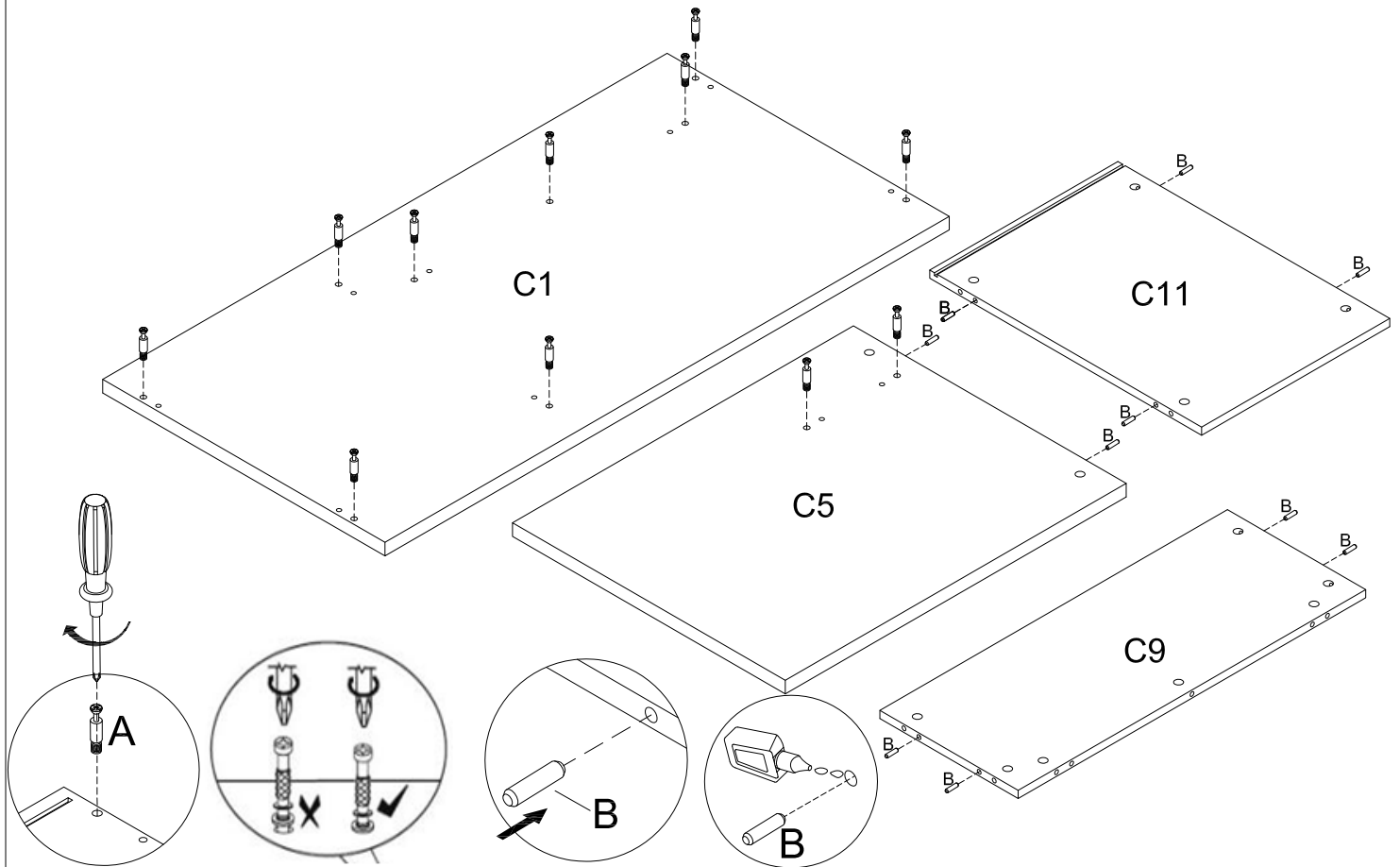
$$K = K1 + K2$$



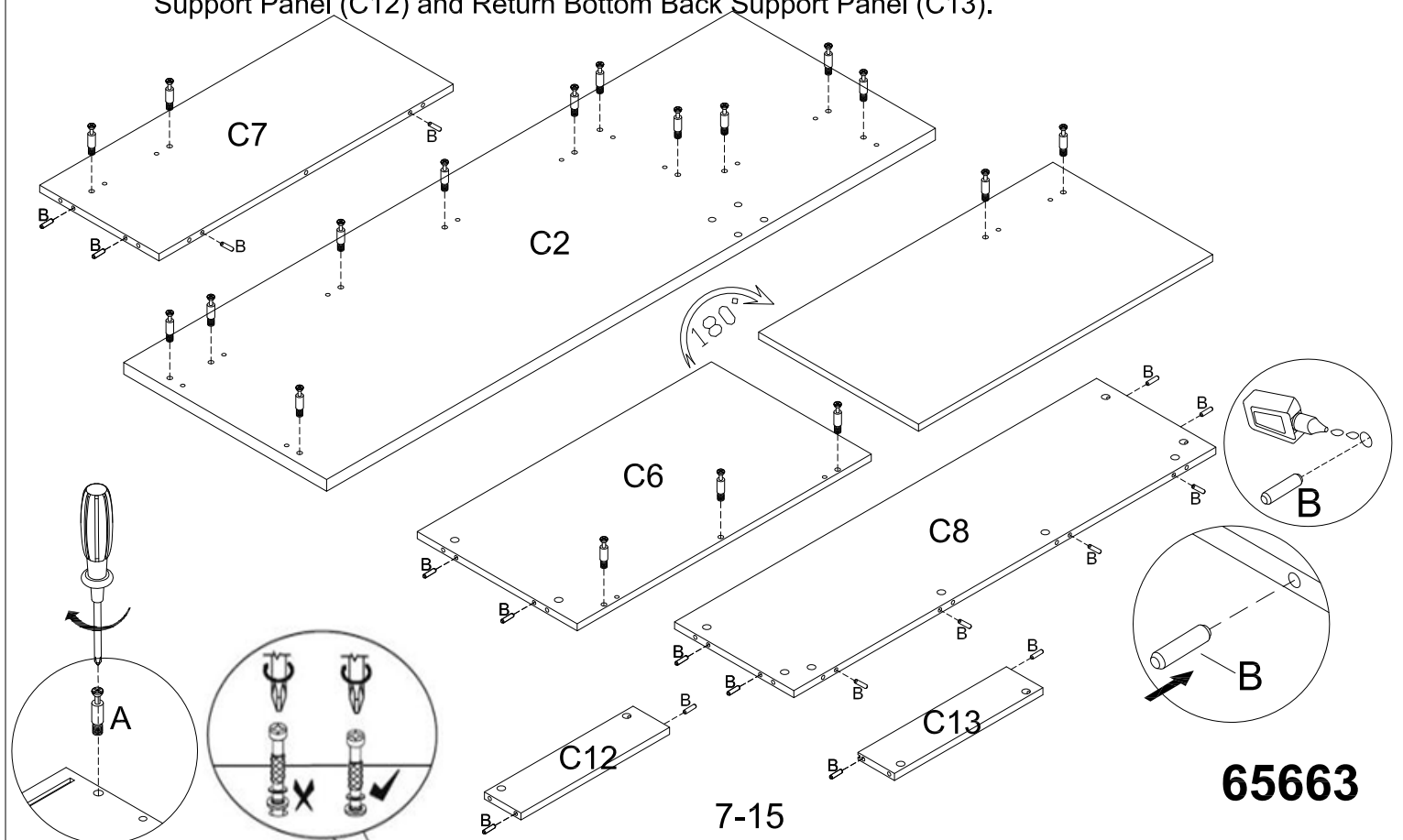
STEP 2: Tighten the Runner (K1) to the Return Left Side Panel (C3) and Return Middle Side Panel (C4) with Screw (C), Place a small amount of glue on each dowel (B) and insert into the Return Left Side Panel (C3) and Return Middle Side Panel (C4). Use a Phillips Head Screw driver to insert the Cam Pin (A) to the Return Left Side Panel (C3) and Return Middle Side Panel (C4) and Drawer Left Side Panel and Right Side Panel (C15, C16) and the Drawer Front Panel (C14).



**STEP 3:** Use a Phillips Head Screw driver to insert the Cam Pin (A) to the Return Top Panel (C1) and Desk Right Side Panel (C5). Insert the Dowel (B) to the Return Back Panel (C9) and Return Chest Shelf Panel (C11).

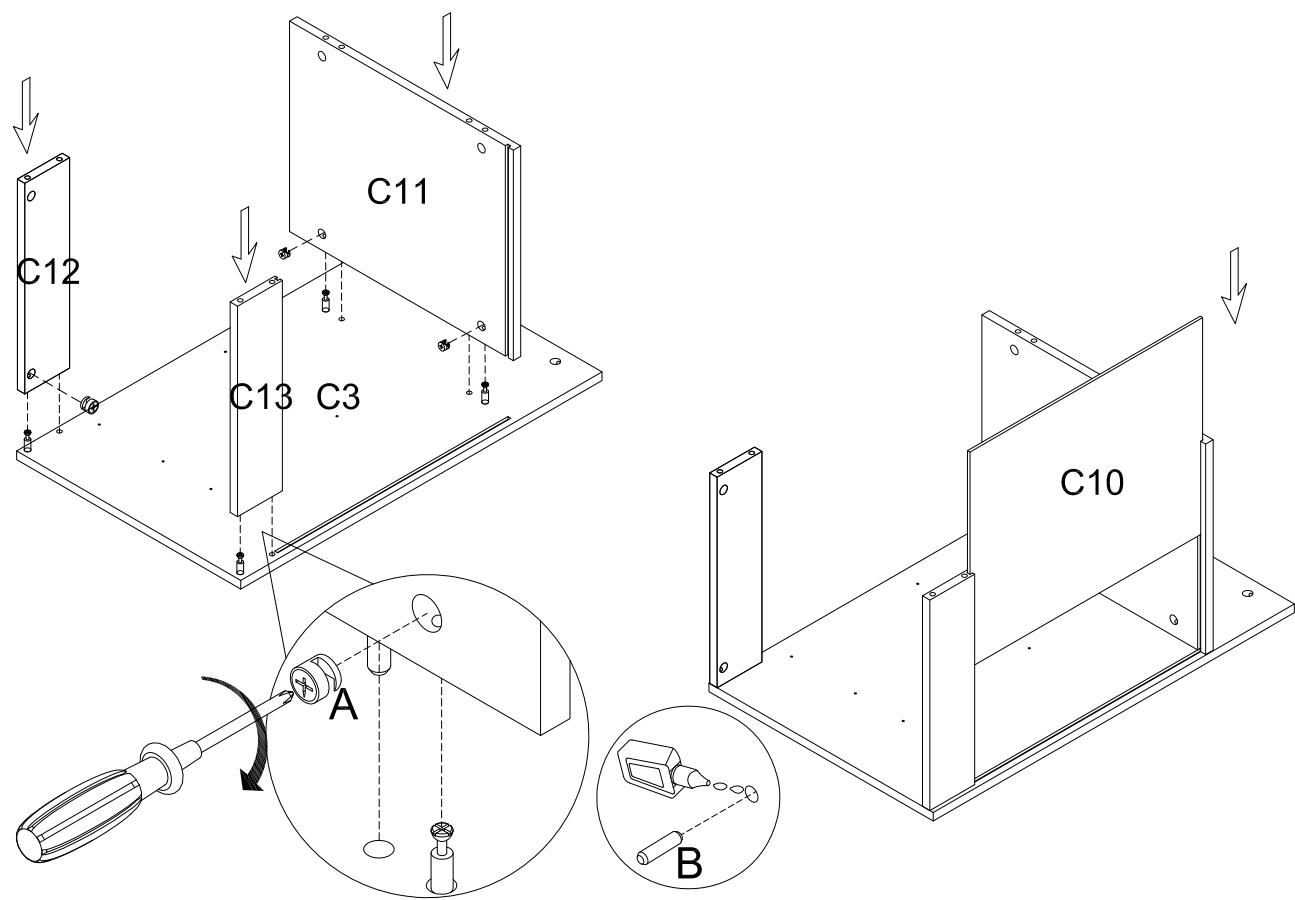


**STEP 4:** Use a Phillips Head Screw driver to insert the Cam Pin (A) to the Desk Left Side Panel (C7) and Desk Top Panel (C2) and Return Right Side Panel (C6), Insert the Dowel (B) to the Desk Left Side Panel (C7) and Return Right Side Panel (C6) and Desk Back Panel (C8) and Return Bottom Front Support Panel (C12) and Return Bottom Back Support Panel (C13).

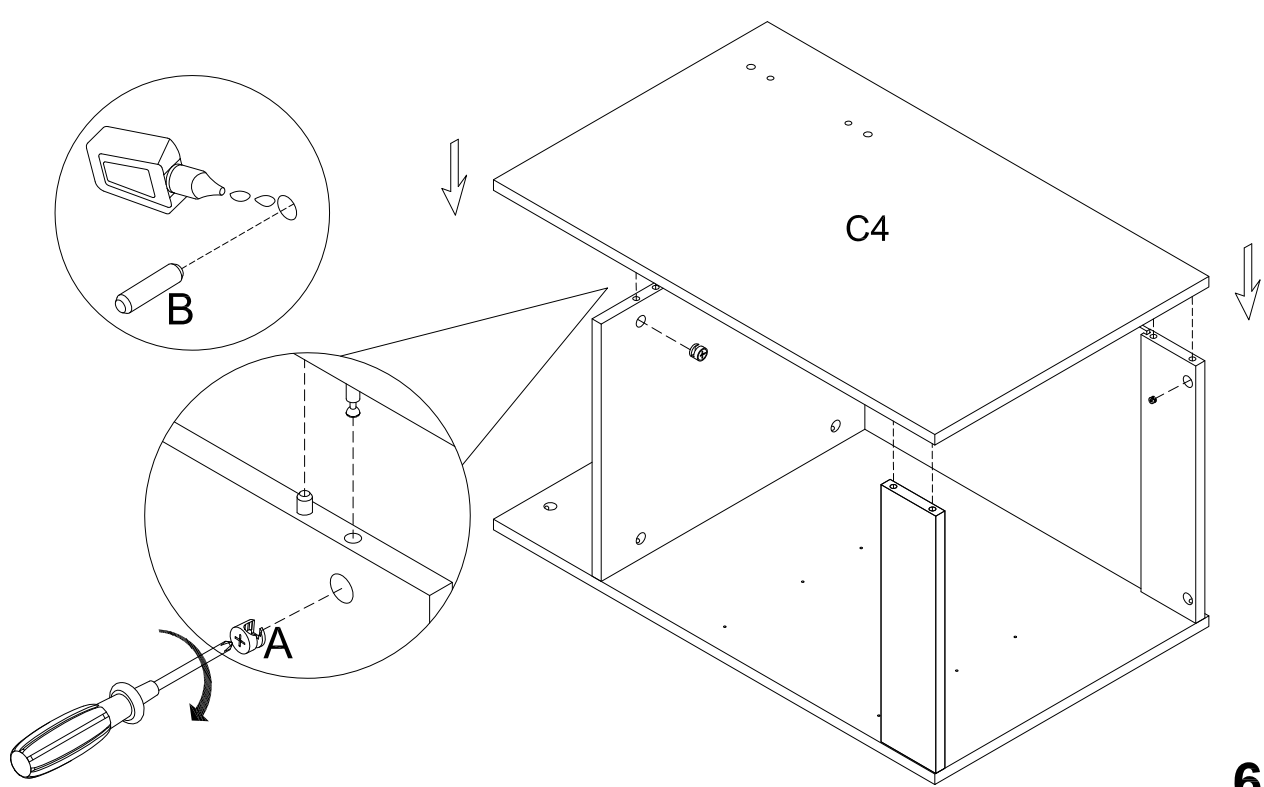


**65663**

**STEP 5:** Insert the Return Chest Shelf Panel (C11) and Return Bottom Front Support Panel (C12) and Return Bottom Back Support Panel (C13) to the Return Left Side Panel (C3), Use a Phillips Head Screwdriver to turn the Cam Lock(A) to lock onto the head of Cam Pin (A). Insert the Return Chest Back Panel (C10) to the Return Chest Shelf Panel (C11) and Return Bottom Back Support Panel (C13)



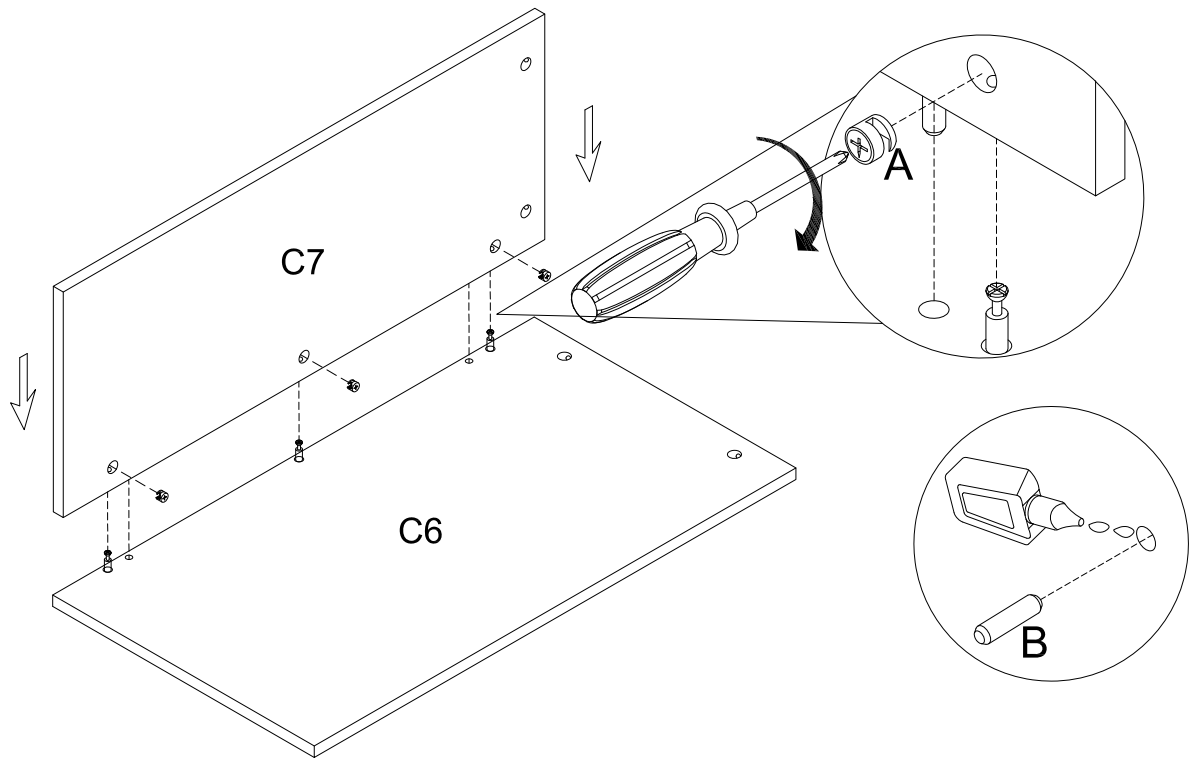
**STEP 6:** Assemble the Return Middle Side Panel (C4) to the Return Chest Shelf Panel (C11) and Return Bottom Front Support Panel (C12) and Return Bottom Back Support Panel (C13), Use a Phillips Head Screwdriver to turn the Cam Lock (A) to lock onto the head of Cam Pin (A).



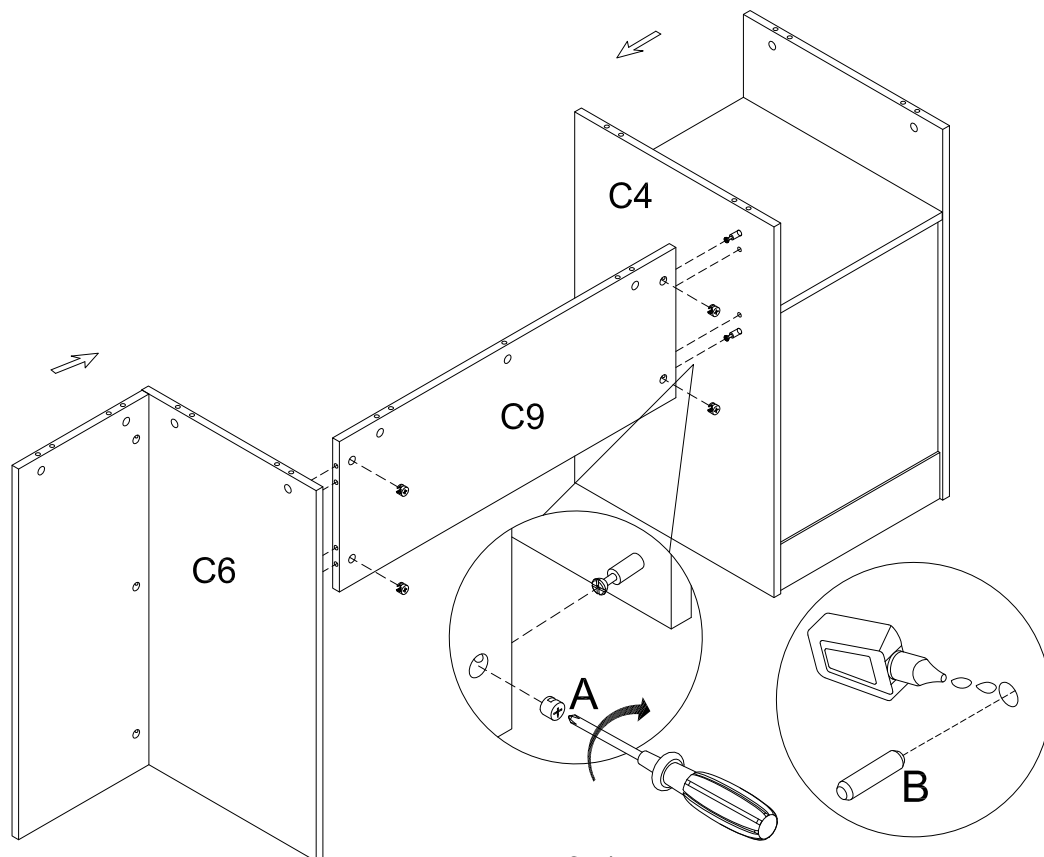
**65663**



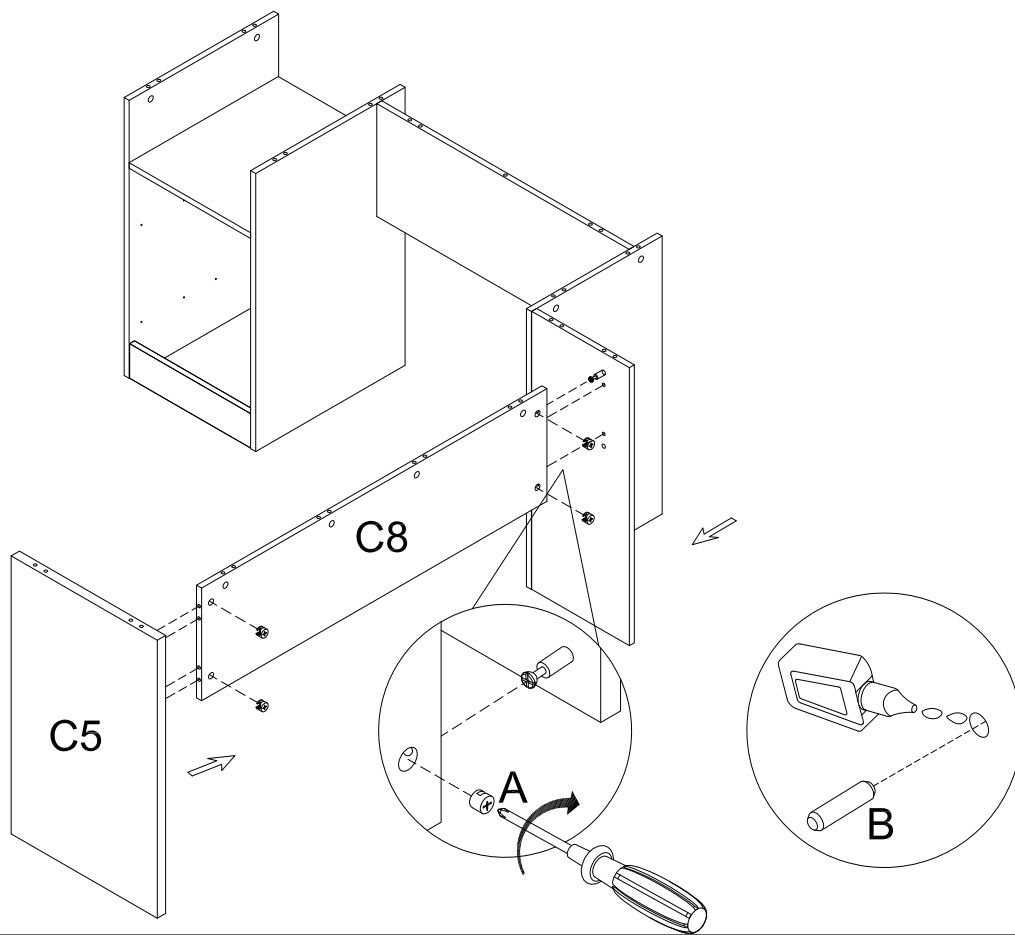
**STEP 7:** Assemble the Desk Left Side Panel (C7) to the Return Right Side Panel (C6). Use a Phillips Head Screwdriver to turn the Cam Lock (A) to lock onto the head of Cam Pin (A).



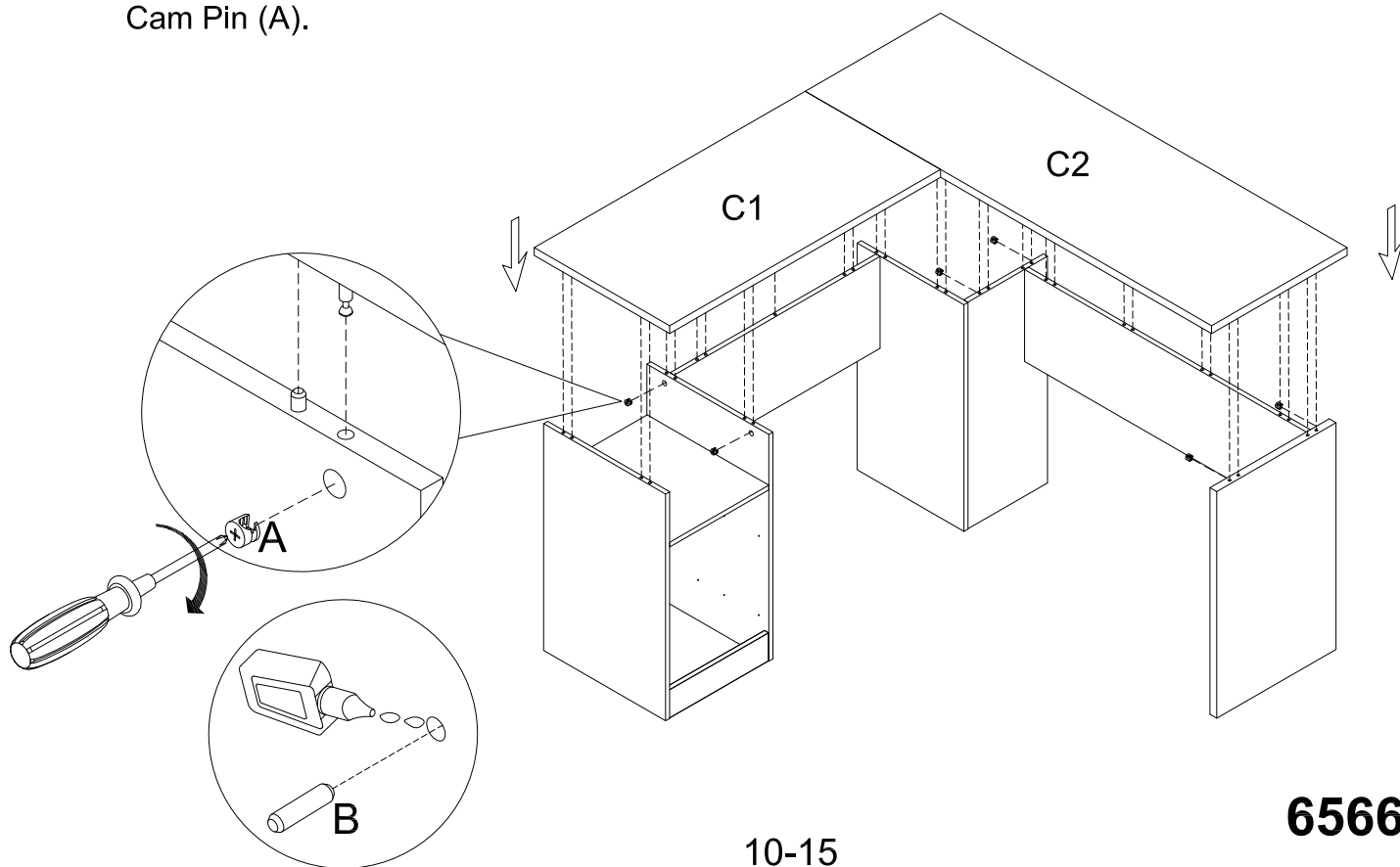
**STEP 8:** Assemble the Return Back Panel (C9) to the Return Middle Side Panel (C4) and Return Right Side Panel (C6). Use a Phillips Head Screwdriver to turn the Cam Lock (A) to lock onto the head of Cam Pin (A).



**STEP 9:** Assemble the Desk Back Panel (C8) to the Return Desk Right Side Panel (C5) and Desk Left Side Panel (C7). Use a Phillips Head Screwdriver to turn the Cam Lock (A) to lock onto the head of Cam Pin (A).

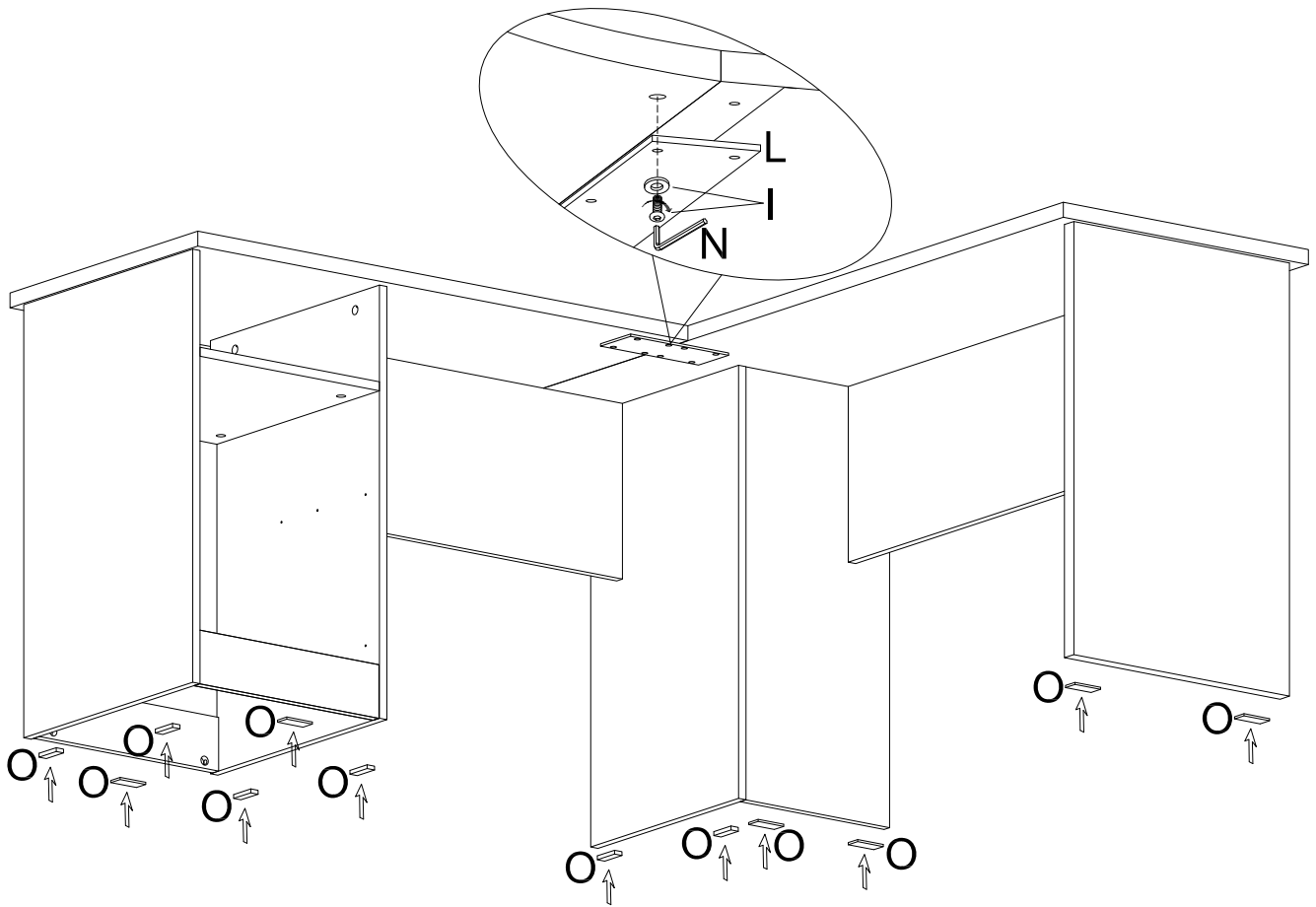


**STEP 10:** Assemble the Return Top Panel (C1) to the Return Left Side Panel (C3) and Middle Side Panel (C4) and Return Back Panel (C9). Assemble the Desk Top Panel (C2) to the Return Right Side Panel (C6) and Desk Left Side Panel (C7) and Desk Right Side Panel (C5) and Desk Back Panel (C8). Use a Phillips Head Screwdriver to turn the Cam Lock (A) to lock onto the head of Cam Pin (A).

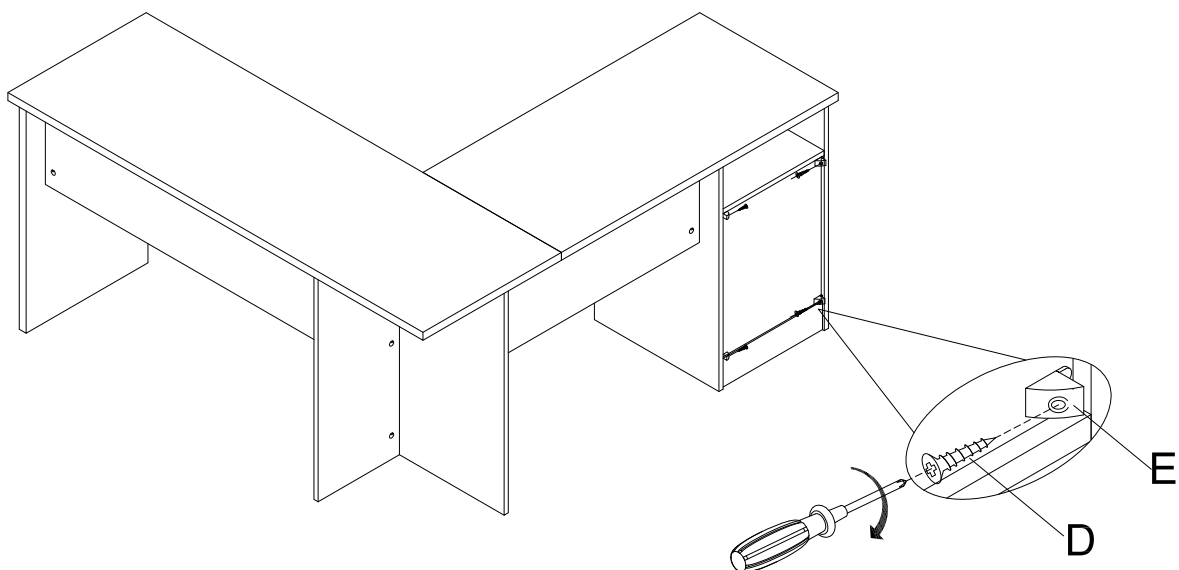


**65663**

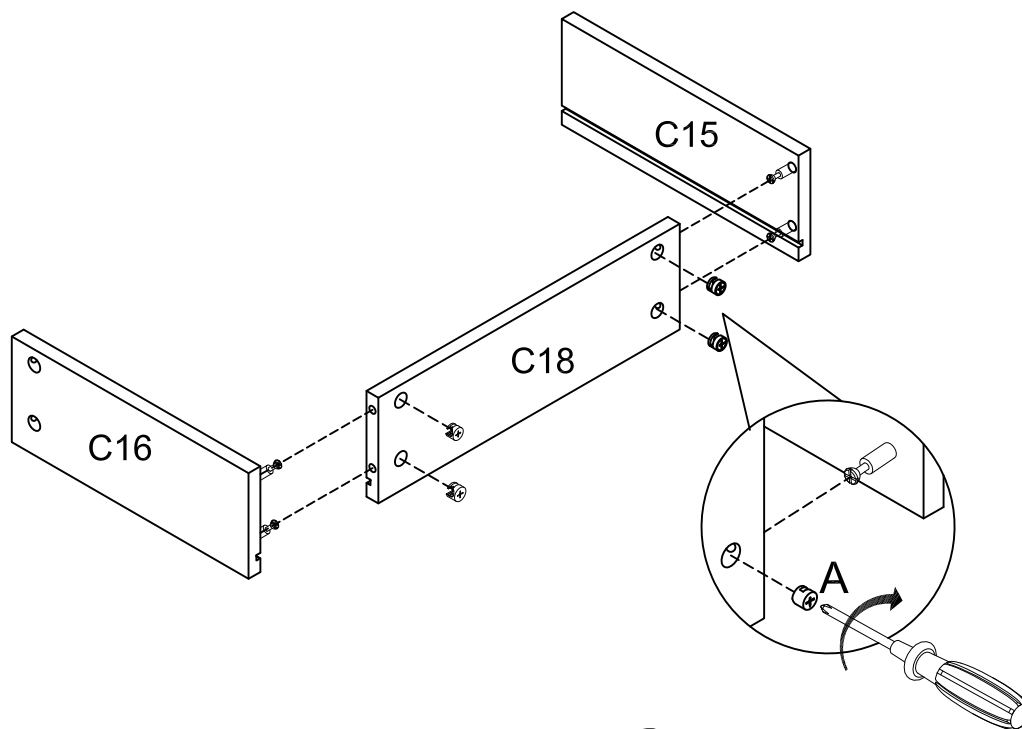
STEP 11: Use Hex Key(N) to tighten the Metal Plate (L) to the Return Top Panel (C1) and Desk Top Panel (C2) with Bolt (I) and Washer(I).Place the Floor Protectors(O) to the Return Left Side Panel(C3) ,Return Middle Side Panel(C4),Desk Right Side Panel(C5) ,Return Right Side Panel(C6),Desk Left Side Panel(C7)Return Bottom Front Support Panel(C12) and Return Bottom Back Support Panel(C13).



STEP 12: Use a Phillips Head Screwdriver to tighten the Connector (E) to the Chest back corner with Screw (D).

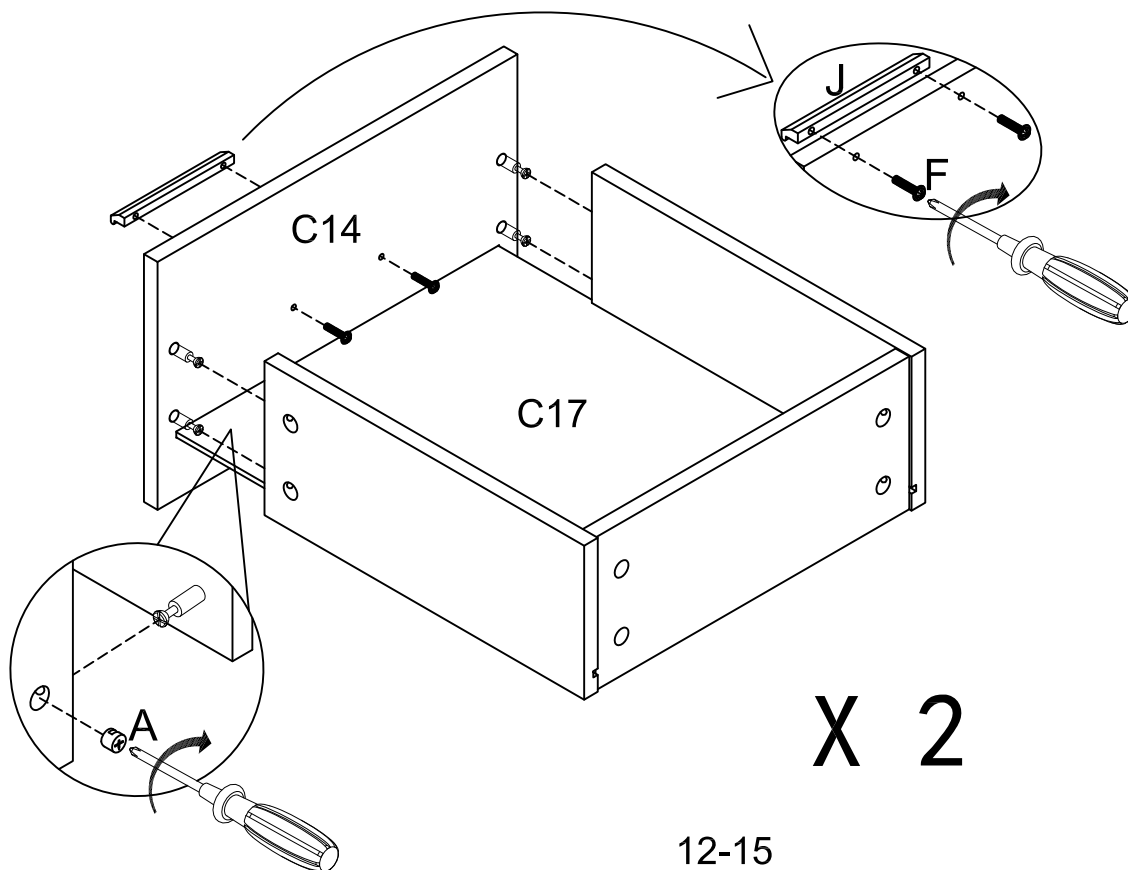


STEP 13: Assemble the Drawer Back Panel (C18) to the Drawer Left Side Panel (C15) and Drawer Right Side Panel (C16), Use a Phillips Head Screwdriver to turn the Cam Lock(A) to lock onto the head of Cam Pin (A).



X 2

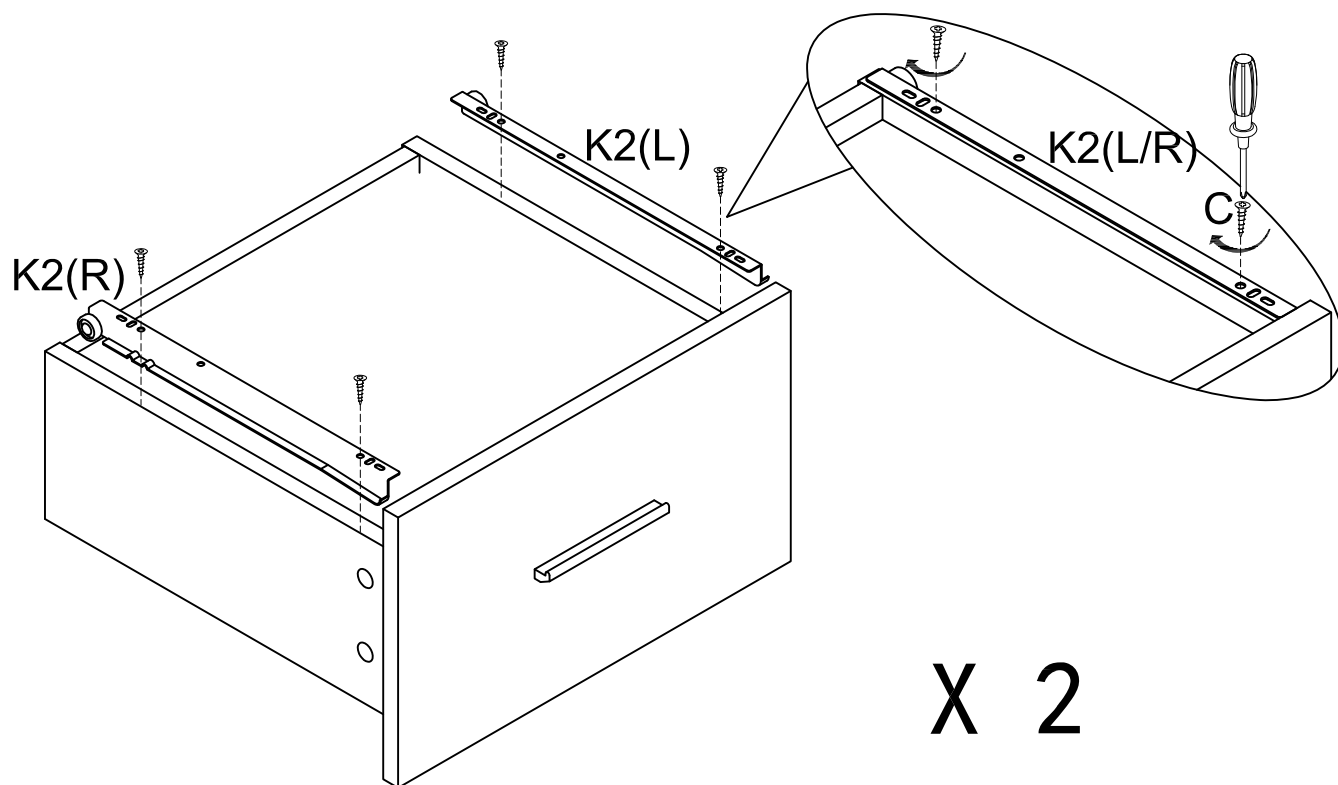
STEP 14: Insert the Drawer Bottom Panel (C17) to the Drawer Left Side Panel (C15) and Drawer Right Side Panel (C16). Assemble the Drawer Front Panel (C14) to the Drawer Left Side Panel (C15) and Drawer Right Side Panel (C16), Use a Phillips Head Screwdriver to turn the Cam Lock (A) to lock onto the head of Cam Pin (A). Use a Phillips Head Screwdriver to tighten the Handle (J) to the Drawer Front Panel (C14) with Bolt (F).



X 2

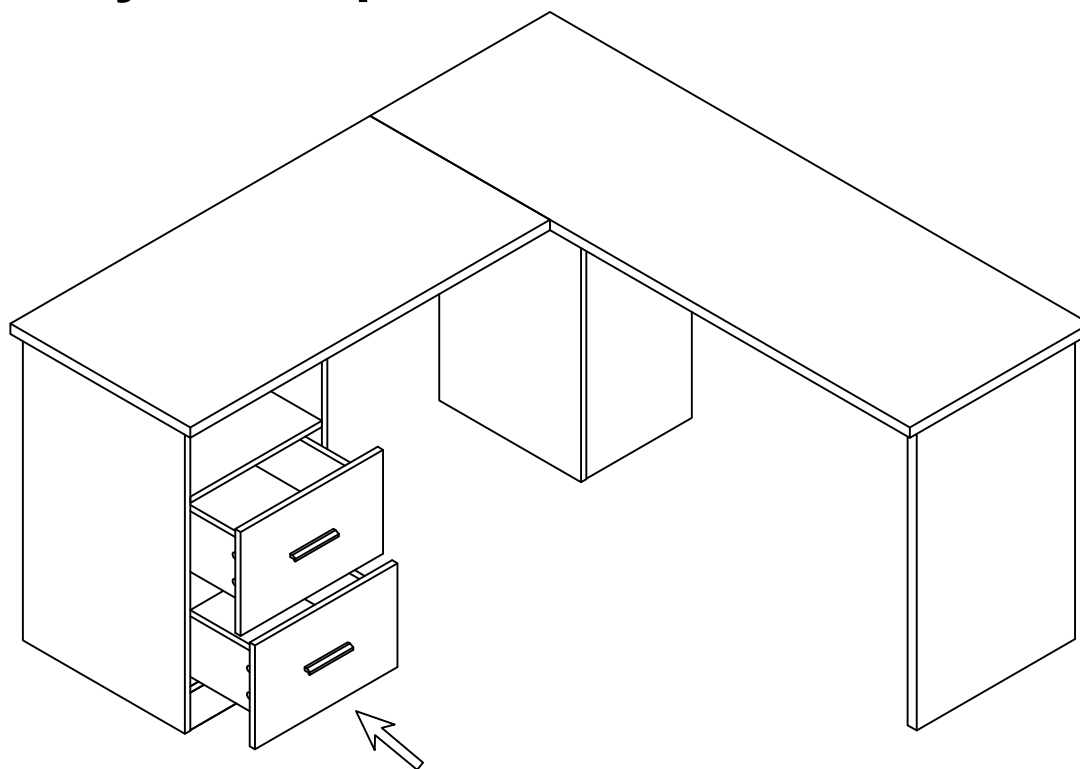
65663

STEP 15: Use a Phillips Head Screwdriver to tighten the Runner (K2) to the Drawer Left Side Panel (C15) and Drawer Right Side Panel (16) with Screw (C).



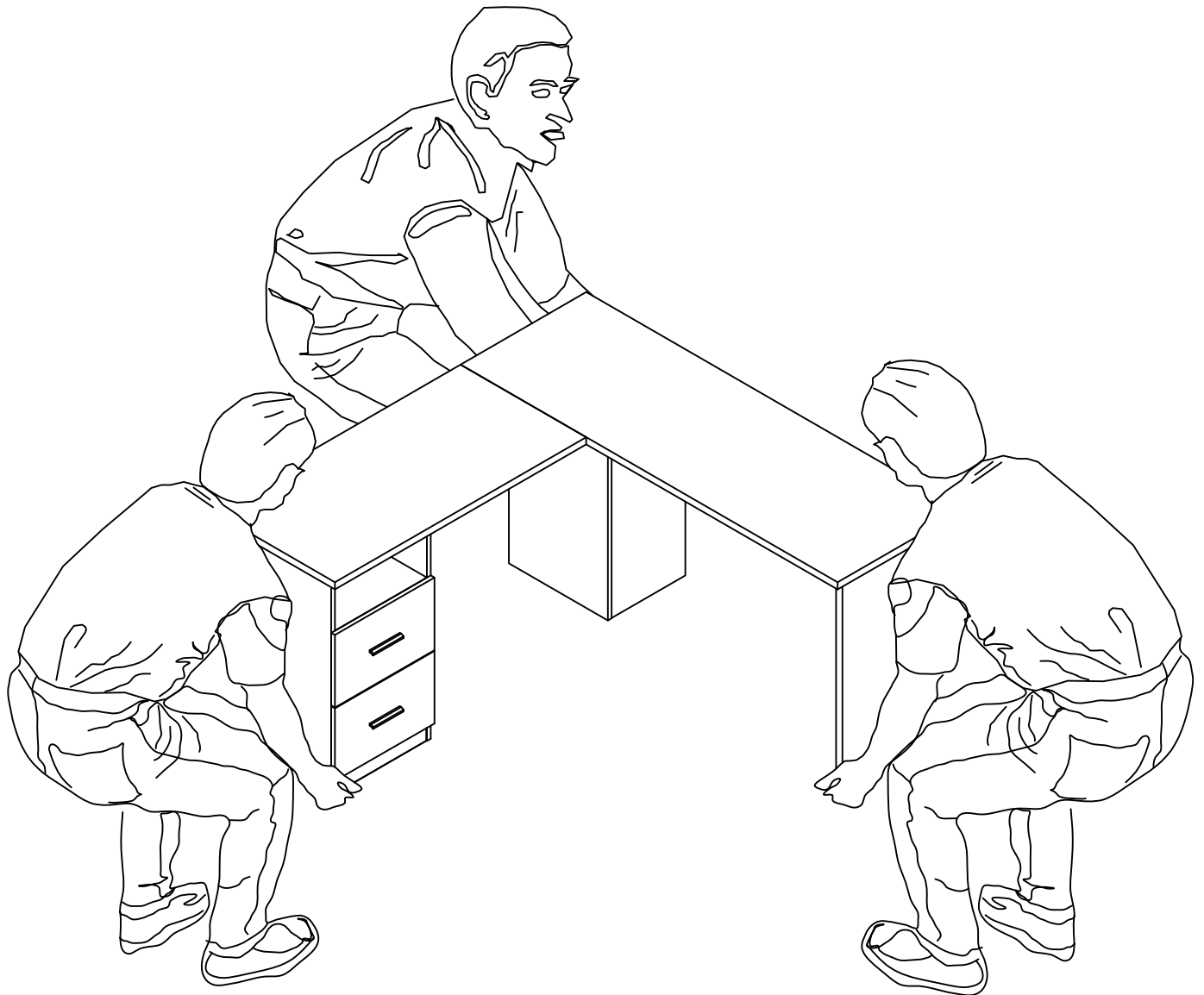
STEP 16: Insert the Drawer to the Return Left Side Panel (C3) and Return Middle Side Panel (C4).

**Assembly is complete**



Note -

Do not drag the furniture as this may cause damage to the legs. Instead, use 2 persons to lift carefully with caution from either end.



## SAFETY BRACKETS INSTRUCTIONS

This furniture poses a tipping risk and as such must be secured to a wall using the provided tipping kit.

1. Attach one Mounting Plate to the wall with the Large Screws. Make sure to attach the Mounting Plate into a stud. If mounting into brick or masonry you will need to acquire wall anchors. Please enquire with your local hardware supplier for appropriate fixings.
2. Attach the second Mounting Plate to the furniture frame with the Short Screws.
3. Move the furniture to its final position. Thread a Wall Strap through the both Mounting Plates and tighten until snug. Do not over tighten.
4. Make sure that the Mounting Plates are firmly attached to the wall and furniture and that the Wall Strap is snug.

### HARDWARE



Mounting Plate x 2



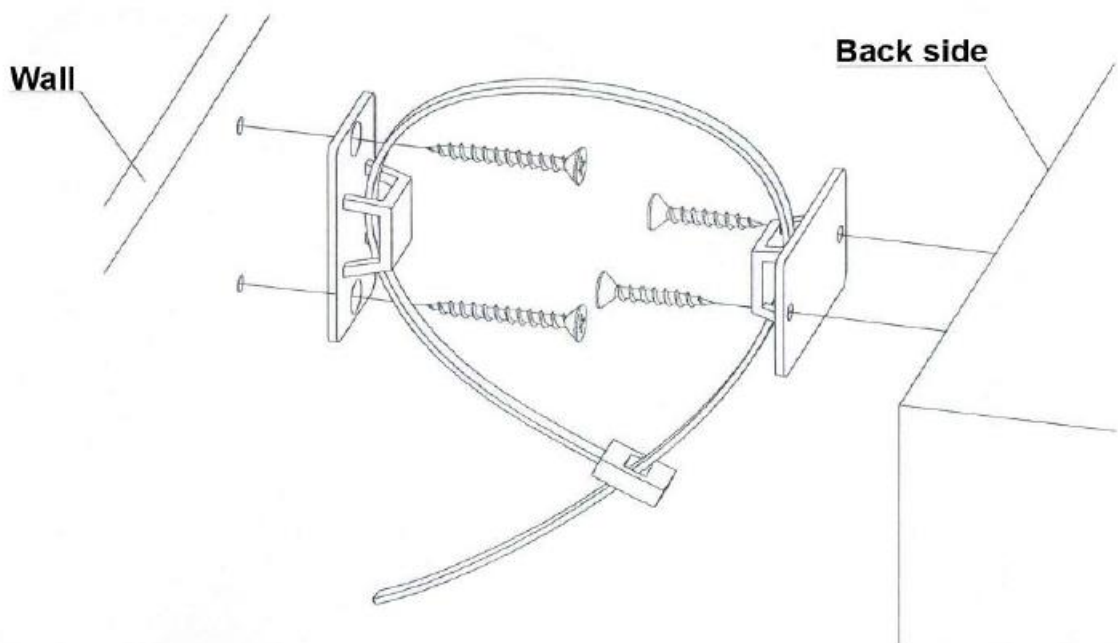
Wall Strap x 1



Large Screw x2



Small Screw x2



## **IMPORTANT: CARE GUIDE FOR YOUR HI-GLOSS FURNITURE**

*Congratulations! You have just purchased a quality product from Amart Furniture, Australia's largest discount furniture retail store. Please read on for important information regarding your purchase...*

Hi-gloss lacquered furniture is more sensitive to marks and scratching than some other furniture products. It is important to exercise caution and care to maximise the life and beauty of this product.

Following the below simple guidelines when using your hi-gloss product will protect your investment for years to come:

- Dust frequently with a clean damp, lint-free cloth. This will help remove abrasive build up which can damage a finish over time.
- Avoid using chemicals or solvents when cleaning the product.
- Do not place hot objects on any furniture surface. Always use a hot plate or placemat. Lacquer finishes provide added scratch and heat resistance to our furniture, but they can still be damaged without proper care.
- Avoid exposing your furniture to strong sunlight. Prolonged exposure to direct sunlight can fade the finish of your furniture.
- Do not expose your furniture to any liquids. Avoid allowing water to sit on your furniture. Alcohol, nail polish and perfume are particularly harmful as they will dissolve the lacquer finish on contact.
- Do not allow plastic to come in direct contact with your furniture. Chemicals in the plastic of some placemats etc may soften and mark the finish if left in contact with the furniture for a period of time.
- Avoid placing sharp or rough objects on the surface of your furniture. These may scratch the surface of the product.
- When moving your furniture, do not drag it across the floor. This may damage the product. Instead use two people to lift carefully with caution from either end.